



**SPECIFICATIONS**

**RATING** : 5-24V / 1A DC

**OPERATING LIFE** : 50 MILLION CYCLE MIN.

**CONTACT RESISTANCE** : 1Ω MAX.

**OPERATING TEMPERATURE**: -20°C to 65°C.

**MATERIALS**

**BUSHING**: Aluminum alloy.

**CAP** : PC ; Aluminum alloy.

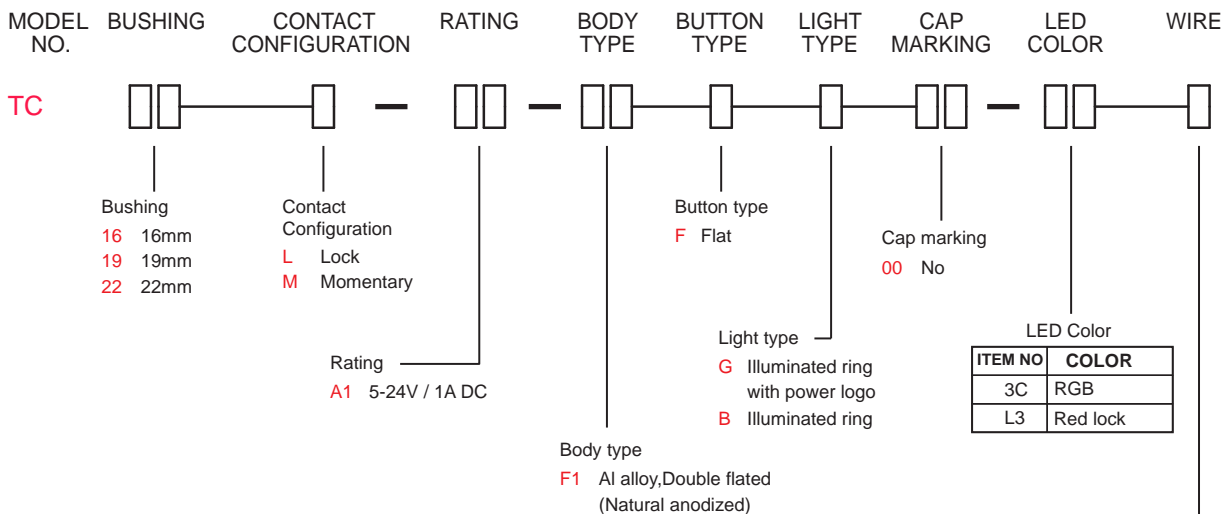
**SEALING** : Silicone,EPOXY.

**O-RING**: Silicone.

**HEX NUT** : Nickel plated brass.



**HOW TO ORDER**



Wire

**Available with 16mm Bushing only**

**D201** 26AWG 150mm+2.54 2x3 Connector

**D202** 26AWG 300mm+2.54 2x3 Connector

**Available with 19mm/22mm Bushing only**

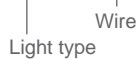
**D101** 26AWG 150mm+2.54 1x6 Connector

**D102** 26AWG 300mm+2.54 1x6 Connector

EXAMPLE:

TC16M-A1-F1FG00-3CD201

TC19M-A1-F1F□00-3CD101

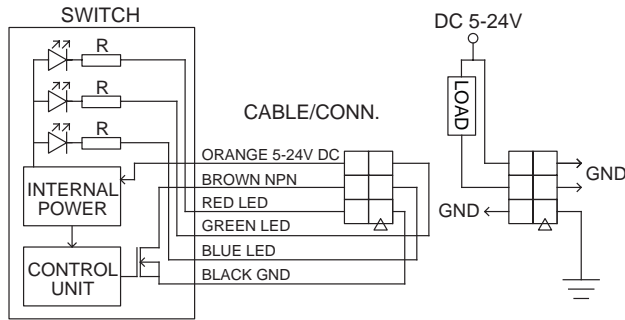


Capacitive switches

CIRCUIT

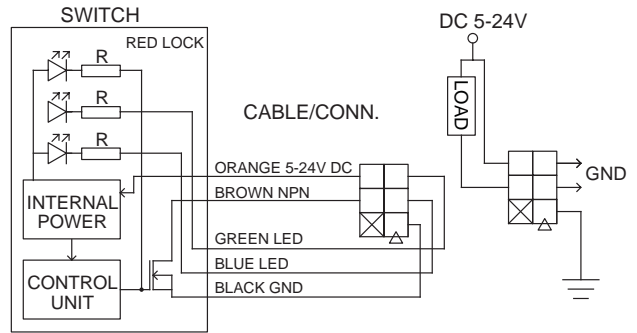
3C color led application diagram

Available with 16mm Bushing only



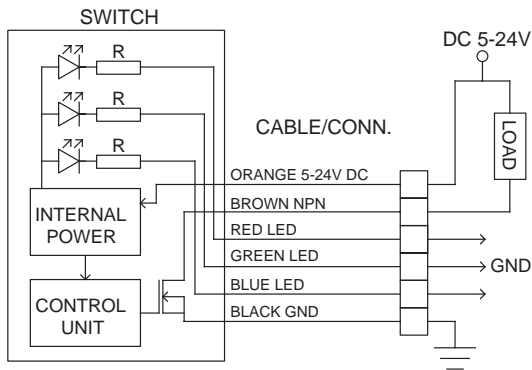
L3 color led application diagram

Available with 16mm Bushing only



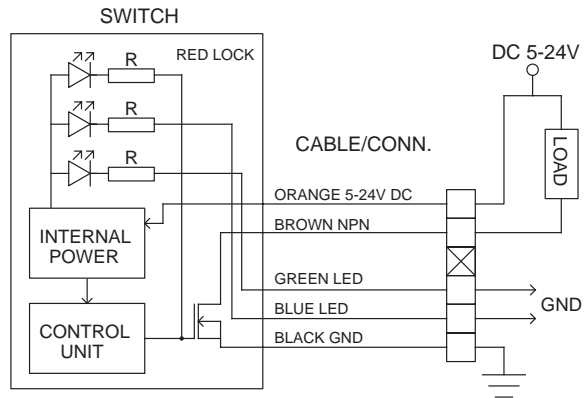
3C color led application diagram

Available with 19mm/22mm Bushing only



L3 color led application diagram

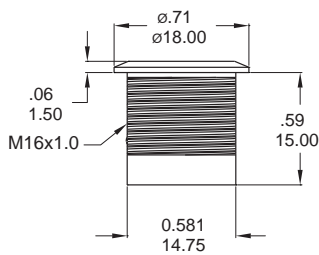
Available with 19mm/22mm Bushing only



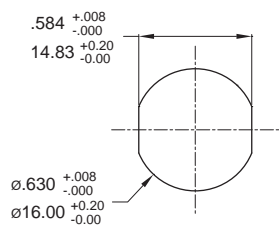
Capacitive switches

BUSHING

16mm

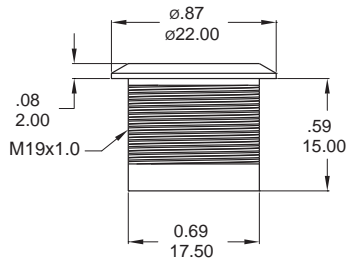


PANEL CUTOUT

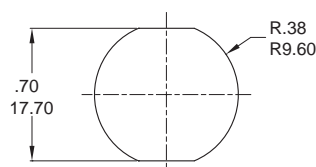


Max. Panel thickness: 8.0mm [315] (Max.)

19mm

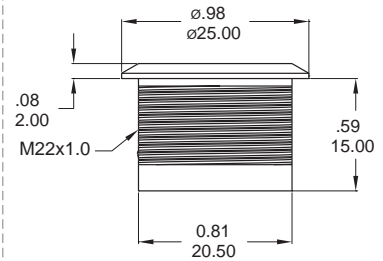


PANEL CUTOUT

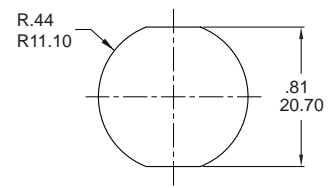


Max. Panel thickness: 10.0mm [394]

22mm



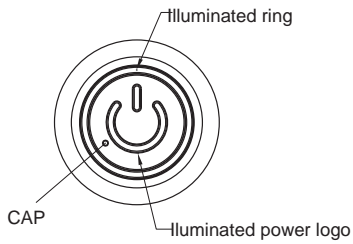
PANEL CUTOUT



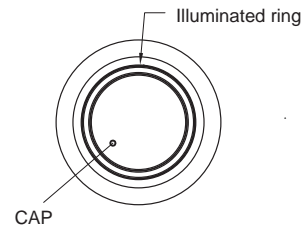
Max. Panel thickness: 10.0mm [394]

**LIGHT TYPE**

**G** Illuminated Ring with Power logo

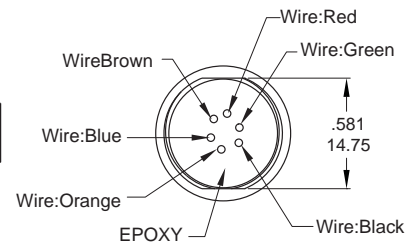
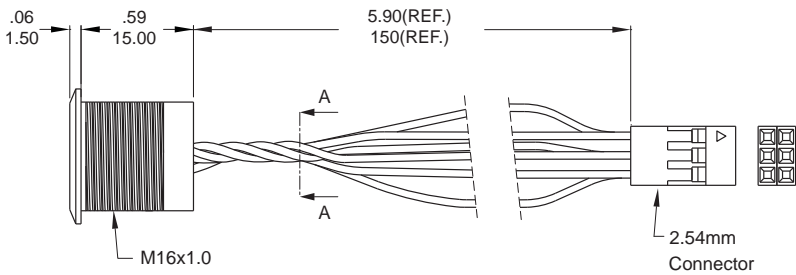


**B** Illuminated Ring



**WIRE**

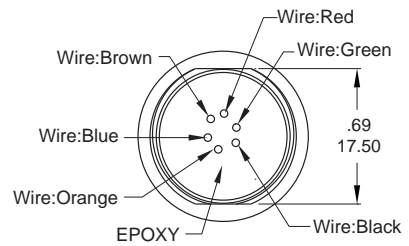
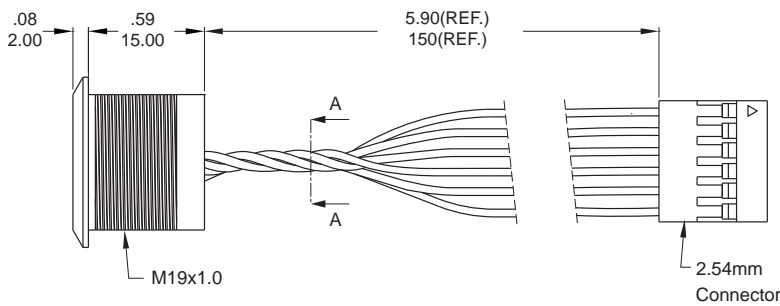
**TC16**



Part No. Shown : TC16 □-A1-F1F□00-3CD201

SECTION A-A

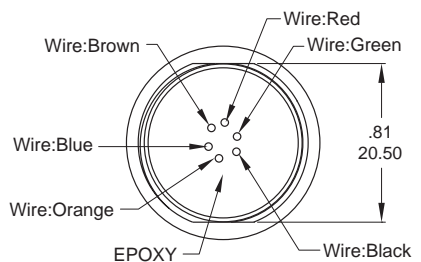
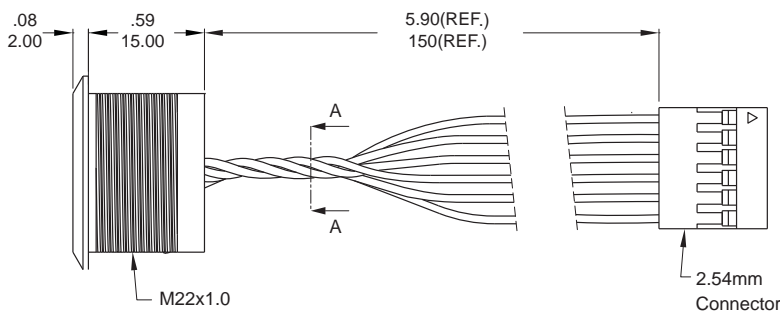
**TC19**



Part No. Shown : TC19 □-A1-F1F□00-3CD101

SECTION A-A

**TC22**



Part No. Shown : TC22 □-A1-F1F□00-3CD101

SECTION A-A

